

ADA FLOW



**Dissolved oxygen meter
DY2900/DY3000**

www.adaflow.com.tr

Addr: 19th floor, no:99, Buyukdere Rd, Istanbul - Turkey. **Tel:** +90 (537) 289 4118

www.adaflow.com | info@adaflow.com

Dissolved oxygen meter Dy2900

Optical Dissolved Oxygen Online Analyzer, an intelligent online chemical analyzer, is widely applied for continuous monitoring and measurement of dissolved oxygen, saturation, oxygen partial pressure and temperature in the solution in the industry of thermal power, chemical fertilizer, environmental protection, metallurgy, pharmacy, biochemistry, food and water, etc.

Features

- Isolating transmitting output, with little interference.
- Isolating RS485 communication.
- DO/SAT measurement, temp measurement,
- Upper/lower limit control, transmitting output,
- Configurable upper/lower limit alarm and delay.
- Configurable hummer and LCD backlight switch.
- Air calibration.
- Automatic temperature compensation.

Applications

- Thermal power
- Chemical fertilizer
- Environmental protection
- Metallurgy
- Pharmacy

Principle

DY2900 Dissolved Oxygen Meter uses the latest Luminous Dissolved Oxygen measurement probes to provide reliable measurements. Continuous monitoring measurement data is connected with the recorder via transmitting output to realize remote monitoring and recording.



Touch the sensitivity...

Optical dissolved oxygen meter Dy3000

Optical Dissolved Oxygen Online Analyzer, an intelligent online chemical analyzer, is widely applied for continuous monitoring and measurement of dissolved oxygen, saturation, oxygen partial pressure and temperature in the solution in the industry of thermal power, chemical fertilizer, environmental protection, metallurgy, pharmacy, biochemistry, food and water, etc.

Features

- Isolating transmitting output, with little interference.
- Isolating RS485 communication.
- DO/SAT measurement, temp measurement,
- Upper/lower limit control, transmitting output,
- Configurable upper/lower limit alarm and delay.
- Configurable hummer and LCD backlight switch.
- Air calibration.
- Automatic temperature compensation.

Applications

- Thermal power
- Chemical fertilizer
- Environmental protection
- Metallurgy
- Pharmacy

Principle

DY3000 Dissolved Oxygen Meter uses the latest Luminous Dissolved Oxygen measurement probes to provide reliable measurements. Continuous monitoring measurement data is connected with the recorder via transmitting output to realize remote monitoring and recording.



Touch the sensitivity...

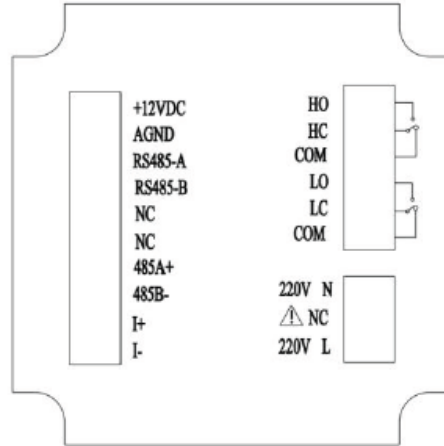
Disssolved oxygen meter DY2900/DY3000

Parameters	DY2900	DY3000
Dimension	100mm * 100mm * 150mm	100mm * 100mm * 150.5mm
Display	2.8-inch monochrome LCD screen, resolution 128*64	
Weight	0.65kg	
Temperature accuracy	±0.5°C	
Measure range	DO :(0~20)mg/L Saturation:(0~200)%	
Mounting panel thickness	1.5mm~13mm	
Accuracy	±3%FS	
Measured variable	DO and saturation	
Signal output	Isolated, 4 - 20mA current transmission output, Max. loop resistance: 500Ω, output accuracy 0.2%FS	
Relative humidity	10%~85% (No condensation)	
Communication	Isolated, RS485 Modbus-RTU	
Power supply	AC220V±10%, 5W Max, 50Hz	
Relay out	Break away/pick up 2 channel, AC250V/3A	
Working temperature	(0~60)°C	
Storage	Temperature: (-15~65)°C	
	Humidity: (5%~85%)RH (No condensation)	
	Altitude: <2000m	

Wiring

Identification of terminal

- +12VDC: Power supply of dissolved oxygen electrode
- AGND: Power negative of dissolved oxygen electrode
- RS485-A: Dissolved oxygen electrode communication-A
- RS485-B: Dissolved oxygen electrode communication-B
- NC: Null
- NC: Null
- RS485(A+): RS485 communication interface A+
- RS485(B-): RS485 communication interface B-
- I(+): 4-20mA output +
- I(-): 4-20mA output -
- HO: High alarm of normal open relay
- HC: High alarm of normal close relay
- COM: Common terminal
- LO: Low alarm of normal open relay
- LC: Low alarm of normal close relay
- COM: Common terminal
- 220V N: AC220V neutral wire
- NC: Null
- 220V L: AC220V live wire



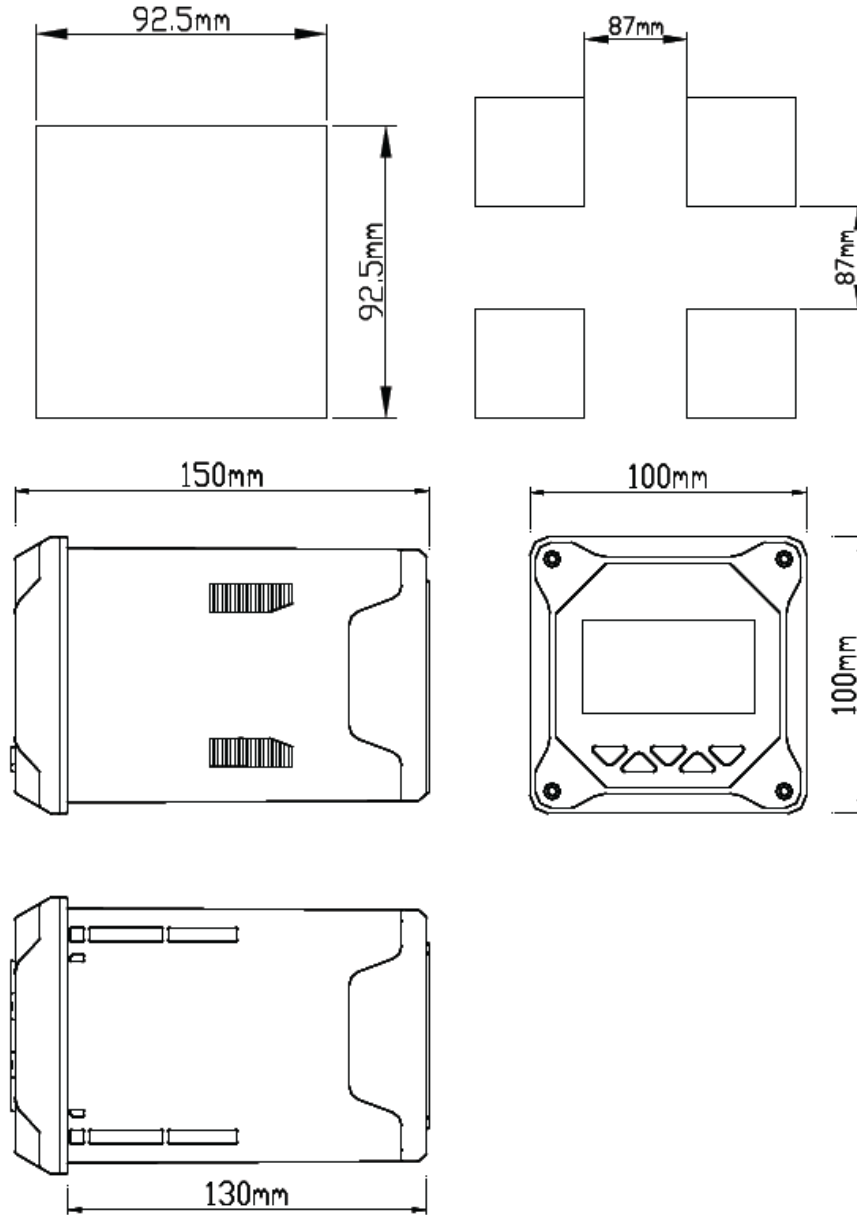
Attention

- Confirm that the instrument is not power on before connected with signal wire, to avoid electric shock.
- Use double insulation wire to prevent fire accident.
- Do not put electric product close to signal terminal, which may cause failure.

Touch the sensitivity...

Disssolved oxygen meter DY2900/DY3000

Dimension

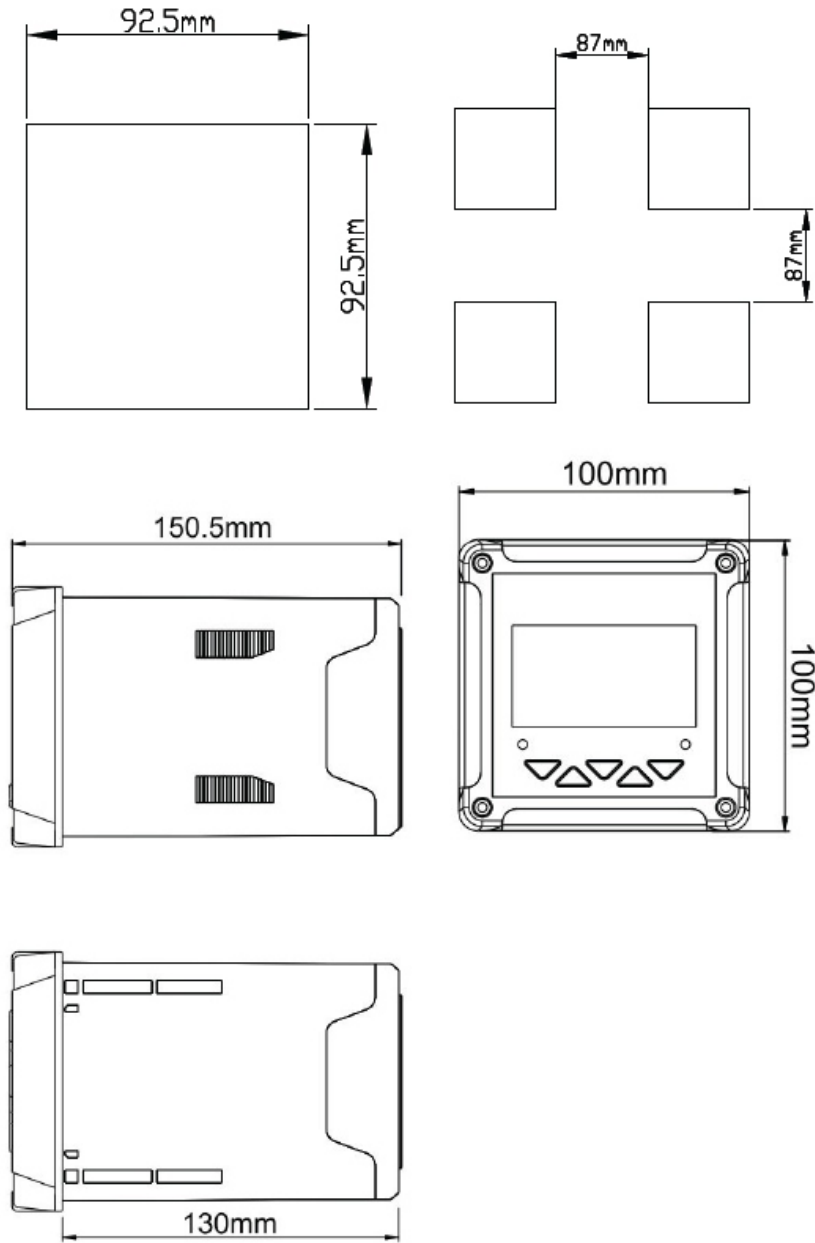


DY2900

Touch the sensitivity...

Disssolved oxygen meter DY2900/DY3000

Dimension



DY3000

Touch the sensitivity...

Disssolved oxygen meter DY2900/DY3000

Button display








★ DY2900



★ DY3000

Definition of buttons

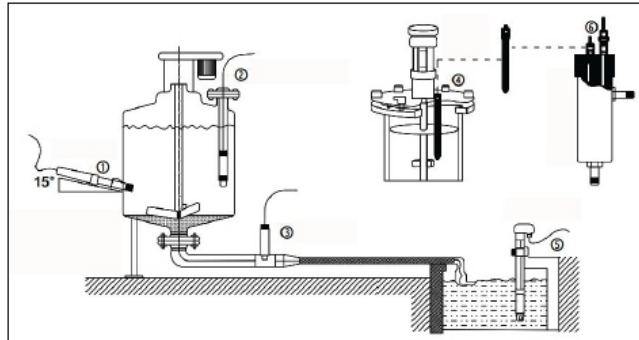
Sign	Button name	Key function
	EXIT	Under "Monitoring interface" - Alarm view Under "Menu interface" - Return to the previous interface
	RIGHT	Make a recurrent selection of digit of parameters modify the original indication value
	MENU	Under "Monitoring interface" - Enter the MENU Under "Menu interface" - Exit the MENU
	DOWN	Under "menu interface" - Select the related menu Modify the values in the configuration state
	ENTER	Under "Menu interface" - Enter the sub-menu or confirm modification

Installation

Electrode installation(DY2900/ Dy3000)

- ① Side wall installation
- ② Flange mounted at the top
- ③ Pipe installation
- ④ Top installation
- ⑤ Submersible installation
- ⑥ Flow-through installation

The interface must be in 15 oblique angle, or it will affect the normal test and use of the electrode. We won't be responsible for any results due to this.



Touch the sensitivity...

Dissolved oxygen meter DY2900/DY3000

Applications



Drinking water plant



Aquaculture



Wastewater treatment plant



Chemical Plant

Ordering code

SUP-DY2900/3000-O1-D1-A2-V1										Description	
SUP-DY2900/3000	-	-	-	-	-	-	-	-	-	-	-
Type	DY2900										-
	DY3000										-
Signal Output		O1									4 ~ 20mA output
Communication			D1								RS485
Relay Output				A2							2 Chanel Relay Output
Power supply							V1				220VAC(198~242VAC)
							V4				110VAC(99~121VAC)

Touch the sensitivity...